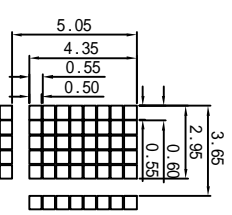
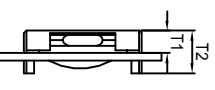
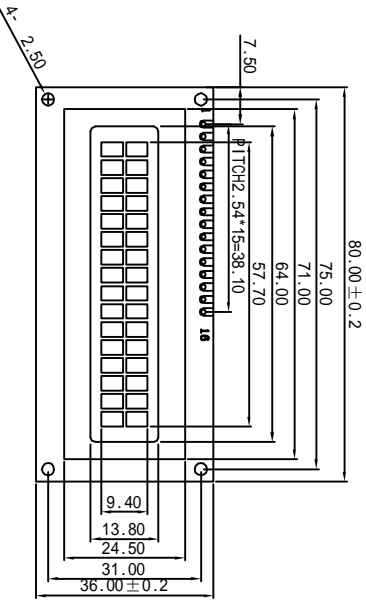
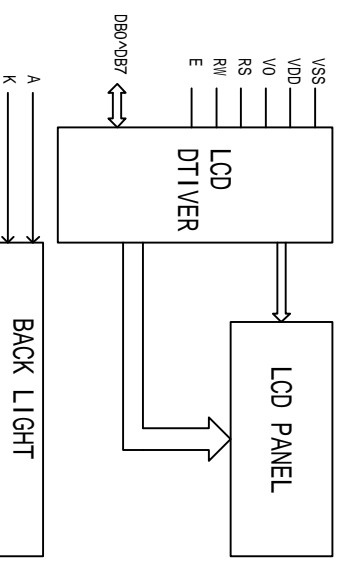


# SCM1602A



Pin	Symbol
1	VSS
2	VDD
3	V0
4	RS
5	RW
6	E
7~14	DB0~DB7
15	A
16	K



Display character address code  
 Display position 1 2..8 9.. 15 16

DDRAM address 00 01..02 0F  
 DDRAM address 40 41..42 4F

### Mechanical thickness

LCD module thickness	T1	T2	UNIT
Without or EL backlight	4.6	9.5	mm
With edge LED backlight	---	---	mm
With LED bottom backlight	8.6	13.5	mm

### PERFORMANCE FEATURES

LC FLUID:	STN/POSITIVE
SUPPLY VOLTAGE:	VDD=5.0V/3.3V
POLARIZER:	TRANSFLECTIVE 1/16DUTY 1/5BIAS
VIEWING ANGLE:	6:00
COLOR:	YG/BLUE
BACKLIGHT:	LED
TEMPERATURE RANGE:	-20° C TO 70° C

### Mechanical data

Item	Standard	Unit
Module size	80.0*36.0	mm
View area	64.0*13.8	mm
Dot size	0.55*0.50	mm
Character size	2.95*4.35	mm

Long Hui Electronic Technology Co., Ltd. Xiamen.  
 FAX: 0592-3899857 Tel: 0592-5786153

DRAWN BY:	DOC: SCM1602A	
CHECKED BY:	DWG NO: SCM1602A	
APPROVED BY:	DATE: 2005.06.18	SCALE:
CONVERTED BY:		UNIT: MM
		SHEET NO: 1 OF 1